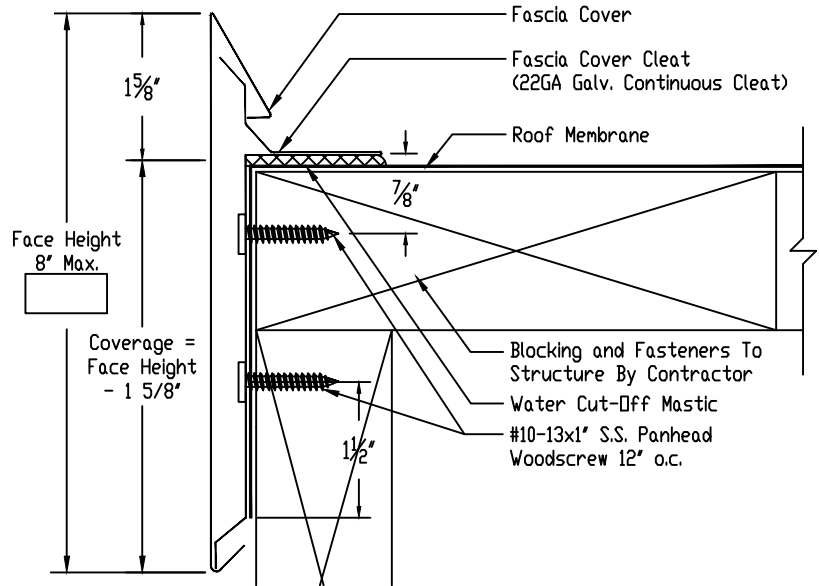


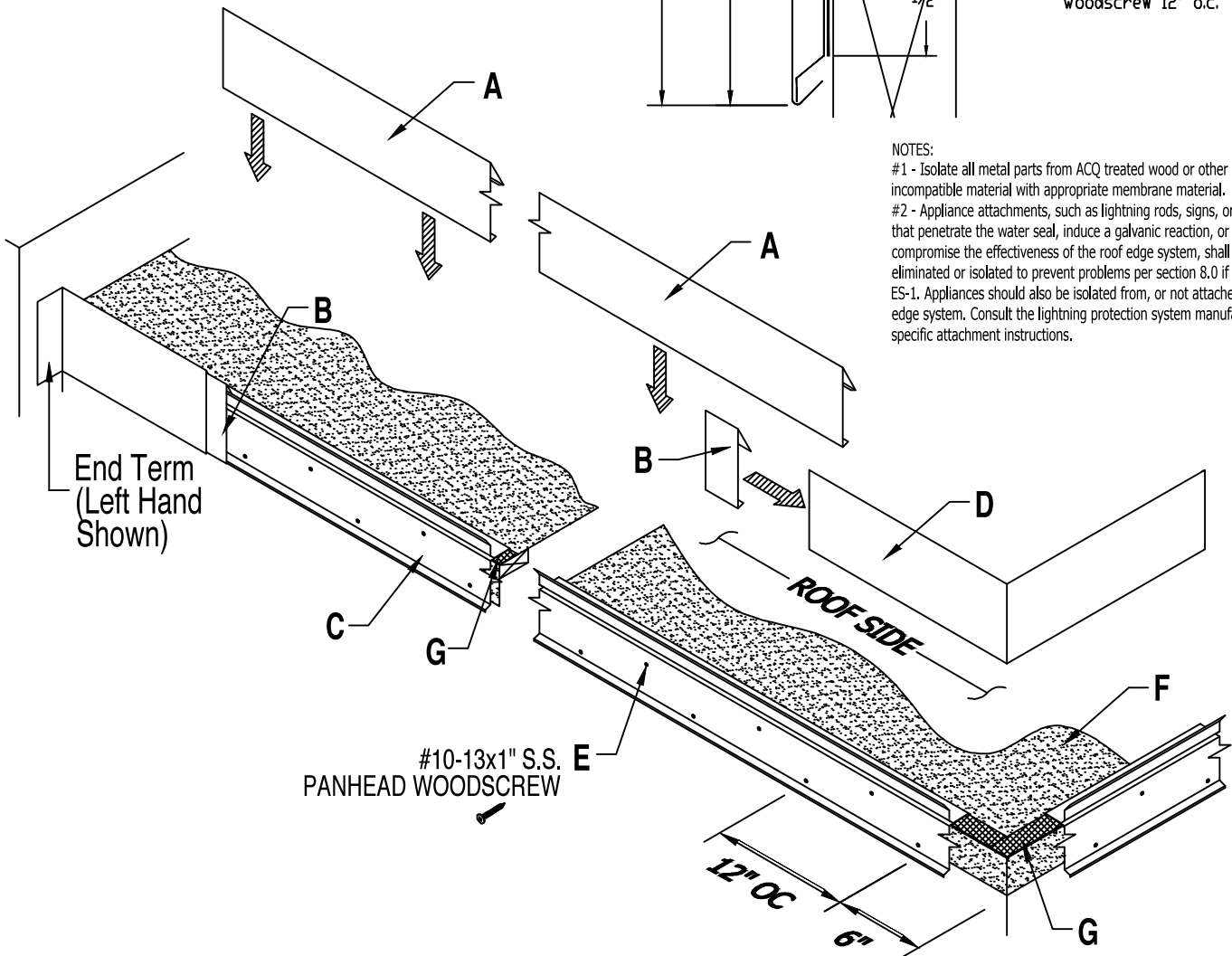


# Installation Guide for Fascia Cover



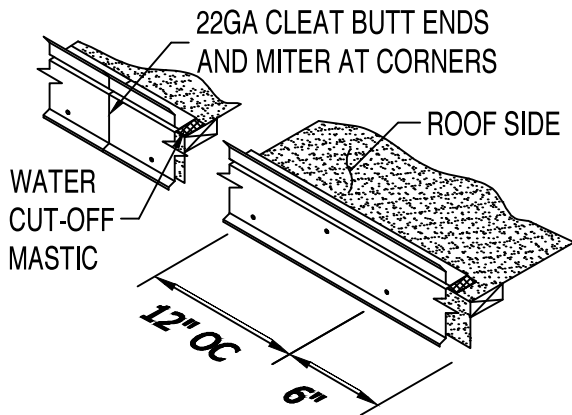
**NOTES:**

- #1 - Isolate all metal parts from ACQ treated wood or other galvanically incompatible material with appropriate membrane material.
- #2 - Appliance attachments, such as lightning rods, signs, or antennae that penetrate the water seal, induce a galvanic reaction, or otherwise compromise the effectiveness of the roof edge system, shall be eliminated or isolated to prevent problems per section 8.0 if ANSI/SPRI ES-1. Appliances should also be isolated from, or not attached to, the roof edge system. Consult the lightning protection system manufacturer for specific attachment instructions.



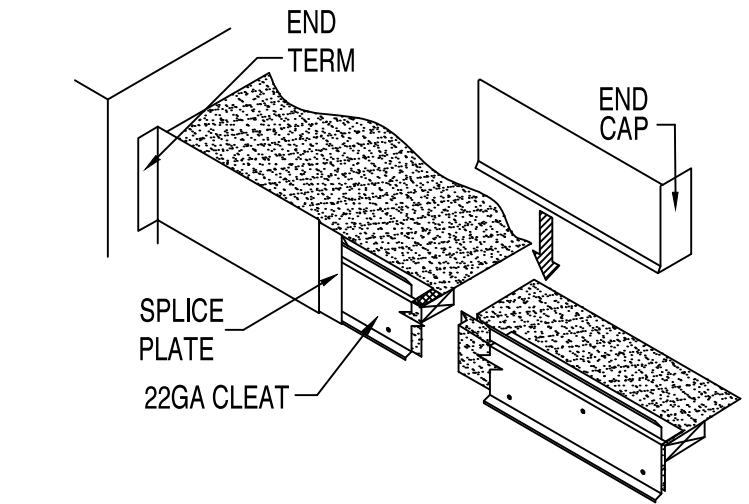
- A. Fascia Cover**  
10'-0" Std. Lengths (20'-0" Max.)
- B. Splice Plate**  
6" Lengths
- C. 22GA Galvanized Continuous Cleat**  
10'-0" Lengths
- D. Fascia Cover Miter**  
(Outside Corner Shown)

- E. #10-13x1" S.S. Panhead Woodscrew**  
at 12" o.c. Staggered (6" from ends)  
(Included & Required)
- F. Approved Roofing Membrane**  
(By Installer)
- G. Water Cut-Off Mastic**  
(By Installer)



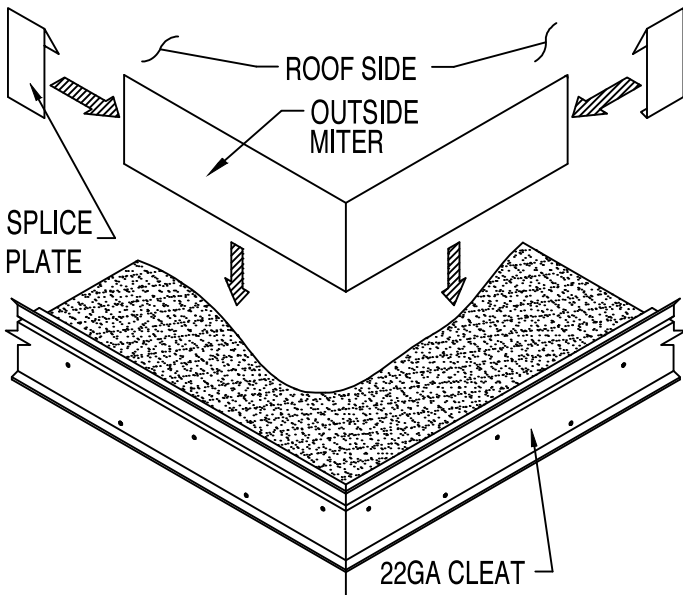
### STEP 1 : Installing 22GA Galvanized Cleat

Adhere the Water Cut-Off Mastic along the roof edge. Place the face of the Cleat squarely on the edge of the roof membrane over the Water Cut-Off Mastic and treated wood nailing plate. Press securely in position and screw through the pre-punched face holes with #10-13x1" S.S. Panhead Woodscrews provided. For Miter application, miter cut into corner as required to maintain a continuous Cleat line. Then fasten at a min. 6" in each direction from the corner or closer at special conditions.



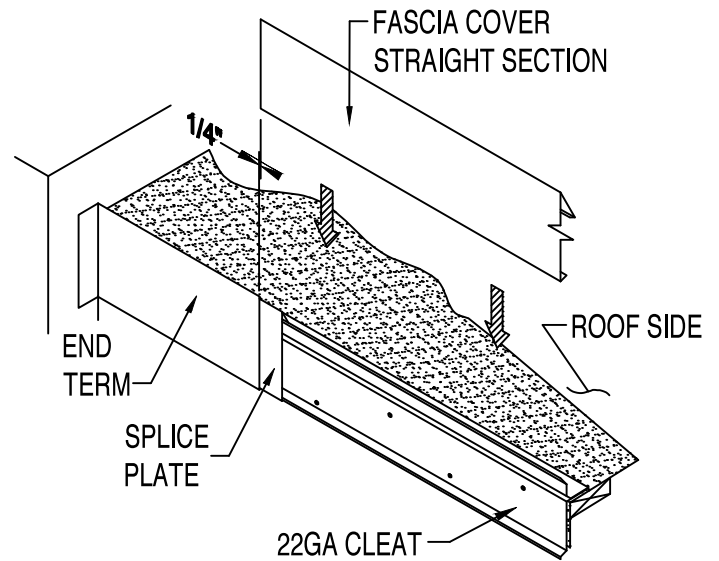
### STEP 3 : Installing Fascia Cover End Caps and End Terms

Install the Fascia Cover End Caps and End Terms by hooking the drip of the Fascia Cover End Cap or Term onto the kick out of the Cleat and rotate back onto the Cleat.



### STEP 2 : Installing Fascia Cover Miters

Locate the Miters and Splice Plates for the appropriate corners. Place a Splice Plate under each end of the Miter sections. Install the Miter by hooking the Fascia Cover Miter onto the kick out of the Cleat, and rotate back onto the Cleat.



### STEP 4 : Installing Fascia Cover Straight Lengths

Place a Splice Plate in the opposite end of the installed Miter or End Cap. Install the Fascia Cover by hooking the fascia cover on to the kick out of the Cleat and rotate back onto the Cleat. **Allow  $\frac{1}{4}$ " Gap between Fascia Cover lengths for thermal expansion.** Consider lengths of all straight pieces prior to cutting to avoid creating relatively short sections adjacent to one another. Note: There should be a Splice Plate at every joint.