

## Reelfoot Metal Building Supply • From Coverage to Components

Metal Roofing • Wall Panels • Custom Building Kits • Accessories

Reelfoot Metal Building Supply, LLC. is a family owned and operated company with over forty years of experience in the metals industry. We offer a variety of products and services to suit your residential, commercial, and industrial needs.



Color-Matched Sealants • Ridge Vents • Custom Trim • Accessories  
Skylights • Color-Matched Screws • Trim • Clips

Reelfoot Metal Building Supply.. We ARE the Manufacturer.

"Professional Contractors and Architects enjoy dealing with Reelfoot Metal Building Supply, LLC, because we have the efficiencies of a large manufacturer and the service of a smaller company"

*Bart Woody - Branch Manager*

COMPETITIVE PRICING • FAST TURN-AROUND TIME • PERSONAL ACCOUNT MANAGEMENT  
ASK ABOUT PROFESSIONAL INSTALLATION

### REEL-RIB

#### Multi-Purpose Panel

Our Reel-Rib panel is an exposed fastener panel with 36 inches of coverage. This versatile product can be used for either a roof or a wall panel. Manufactured in our Obion, Tennessee facility, the Reel-Rib panel is produced from 100% American made materials and is available in a wide range of colors to suit your needs.



Multi-Purpose Panel



- Exposed Fastener
- 29 GA Standard Stock
- 26 GA Available
- Energy Star Rated Colors
- 30 YR Limited Finish Warranty
- Panels Cut to Length
- Valspar Weather X Paint Finish
- Residential, Light Commercial & Agricultural
- Factory Seconds Upon Availability



## The Roof of the Future is Here Today!

Reelfoot Metal Building Supply's Stone-coated Metal Roofing products offer excellent durability and longevity. Amazing new technologies are used to mimic the look of traditional shingles, wood shake, or even clay tile. These revolutionary new products have many advantages over their older, outdated counterparts.

Virtually Maintenance-Free • Non-combustible • 50-year limited warranty • Impact Resistant  
Withstands 100+MPH Winds • Lightweight • Weather Tight • Resists Fading and UV



### Metal Shingle Products

Our Metal Shingle panels combine the cleanest roof lines with the incredible strength of modern stone-coated steel. Traditional shingle roofing can weather and separate after a few years and are vulnerable to high winds.

Incredibly strong, our Metal Shingle panels will easily outlast and outperform standard shingle roofs and are backed by a 50 year material warranty. That means total security for your home or business from the top down.



### Metal Shake Products

Each panel is forged with deep wood grain impressions creating an exceptionally strong, secure steel roof covering for any architectural style.

Finished with an attractive stone coating and embedded in a UV resistant acrylic polymer for a lasting bond to steel. Designed to be Secure, Maintenance Free, Attractive, Reliable and made with Top Quality materials.



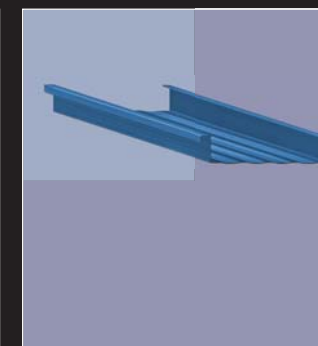
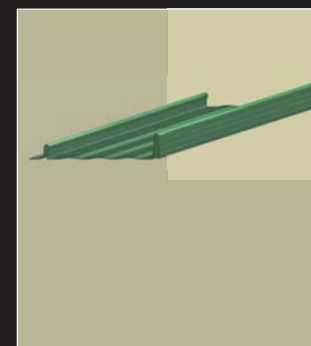
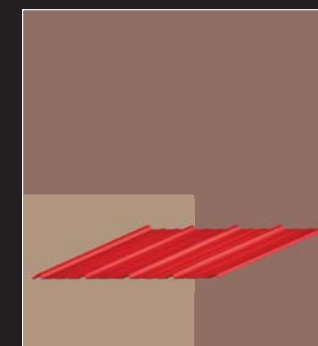
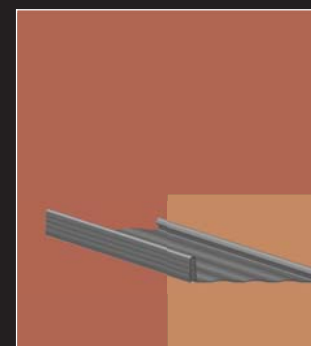
### Metal Tile Products

Standard tile roofs can be heavy, yet fragile and costly to maintain. Our Mediterranean Tile has the graceful curves of classic tile, but the lightness and strength of stone-coated steel.

Providing style and satisfaction you could only wish for with standard tile roofs, it resists cracking and the harshest wind or weather, which equals unparalleled good looks combined with peace of mind for many years to come.



Reelfoot Metal Building Supply, LLC



Toll Free  
866-772-0101

Manufacturing & Sales Office  
127 E PALESTINE  
OBION, TN 38240



www.reelfootmetal.com

Sales Office  
879 AIRWAYS BLVD.  
JACKSON, TN. 38301

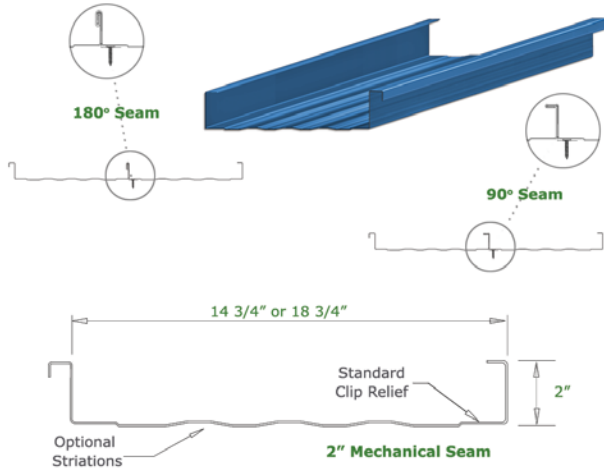
Toll Free  
888-265-4330

**REEL-ROOF**

**Mechanical Seam (2")**



Reelfoot Metal Building Supply, LLC  
866-772-0101  
www.reelfootmetal.com



- Concealed Fastener
- 24 ga Standard Stock
- 26 ga Available (limited color selection)
- Energy Star Rated Colors
- 70% Kynar 500 Paint
- 35 YR Limited Finish Warranty
- Panels Cut to Length
- Commercial & Industrial
- On-Site Roll Forming Available
- Florida Product Approved
- UL and ASTM Performance Tested



Our Reel-Roof panels are a series of concealed fastener roofing panels. These panels can be formed in various standard and custom widths, with a variety of fastening and seaming options available for your detail specific application.

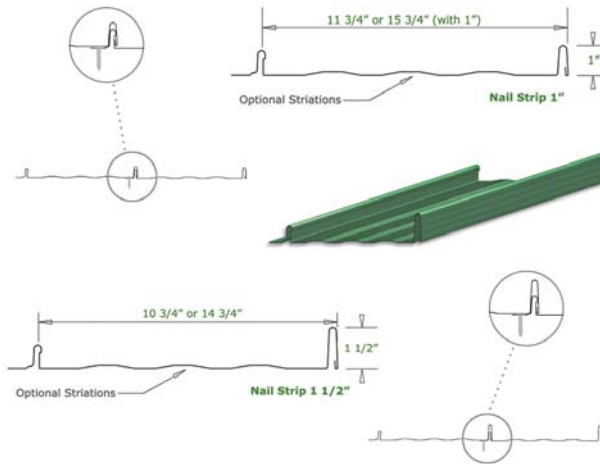
Manufactured in our Obion, Tennessee facility, Reel-Roof panels are produced from 100% American made materials and are available in a wide range of colors to suit your needs.

**REEL-ROOF**

**Nail Strip Series**



Reelfoot Metal Building Supply, LLC  
866-772-0101  
www.reelfootmetal.com



- Concealed Fastener
- 24 ga Standard Stock
- 26 ga Available (limited color selection)
- Energy Star Rated Colors
- 70% Kynar 500 Paint
- 35 YR Limited Finish Warranty
- Panels Cut to Length
- Residential, Light Commercial & Agricultural
- On-Site Roll Forming Available
- Florida Product Approved
- UL and ASTM Performance Tested

For more information about Reelfoot Metal Supply products, please visit our web site.

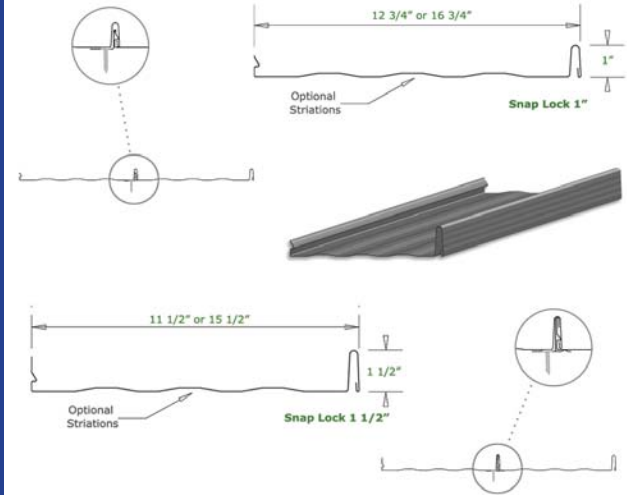
[www.reelfootmetal.com](http://www.reelfootmetal.com)

**REEL-ROOF**

**Snap Lock Series**



Reelfoot Metal Building Supply, LLC  
866-772-0101  
www.reelfootmetal.com



- Concealed Fastener
- 24 ga Standard Stock
- 26 ga Available (limited color selection)
- Energy Star Rated Colors
- 70% Kynar 500 Paint
- 35 YR Limited Finish Warranty
- Panels Cut to Length
- Residential, Light Commercial & Agricultural
- On-Site Roll Forming Available
- Florida Product Approved
- UL and ASTM Performance Tested

RESIDENTIAL GARAGES RESTAURANTS  
 CEILING PANELS MANSARDS SIDING OUT BUILDINGS  
 MACHINE SHOPS INDUSTRIAL CARPORTS  
 SCHOOLS CANOPIES BARNES OFFICES  
 COMMERCIAL SOFFITS CHURCHES